



Advanced Card Systems Ltd.
Card & Reader Technologies

ACR300 Bus Validator

Technical Specifications





Table of Contents

1.0.	Introduction	3
2.0.	Features	4
3.0.	International Certification	5
4.0.	Supported Card types	6
5.0.	Technical Specifications.....	7



1.0. Introduction



ACR300 Bus Validator is designed specifically for use in Automatic Fare Collection systems (AFC) for public transport.

The ACR300 Bus Validator supports all smart cards compliant to ISO14443 Type A & B, Mifare. By virtue of the embedded powerful 32bit ARM 9 processor, ACR300 Bus Validator can complete typical transaction within 0.2 second including recovery and backup, after the presentation of the card. Special Anti-collision algorithm effectively prevents the collision conflict when the user has many contactless cards put together, e.g. in his purse. Special Anti-Tearing mechanism also guarantees the transaction to be either completed or rejected, avoiding any data corruption and unexpected transaction error.

There are two card slots for holding Purchase SAM cards to ensure the security and integrity of the transactions. Furthermore, the data storage in ACR300 Bus Validator is tailor-made for Automatic Fare Collection (AFC) applications and ACR300 stores as many as 30 pages of information with 2,000 records per page. The memory capacity is more than enough for storing 30 day transaction records and blacklists.

With the integrated smart card readers, graphical LCD, audio, LED indicators and reliable waterproof casing, ACR300 Bus Validator is perfectly suitable for various types of automatic fare collection systems, e.g. for buses, ships, trams and other transportation means.

The Latest version equipped with GPS, enables you to locate the vehicle and set fare flexibly with reference to distance.



2.0. Features

- 32-bit Arm-9 / Linux
- 64MB flash and 64MB SDRAM and 2GB SD card
- Contactless Interface Reader supporting Types A & B and Mifare Cards
- USB Full Speed Host
- RS232 Interface
- 2 x ISO7816 SAM-Size Card Slots
- Card Authenticity, Validity & Backlist check
- Graphical LCD with Backlight
- Driver red/orange/green LED indicators
- 2 control buttons
- Speaker and Buzzer
- Real time clock
- Dust and water resistant
- Over Voltage & Over Current Protection
- Support USB secured thumb-drive data extraction
- Firmware Upgradable
- (Optional) GPS



3.0. International Certification

- ISO 7816
- ISO 14443
- RoHS



4.0. Supported Card types

Contact Cards

MCU Cards

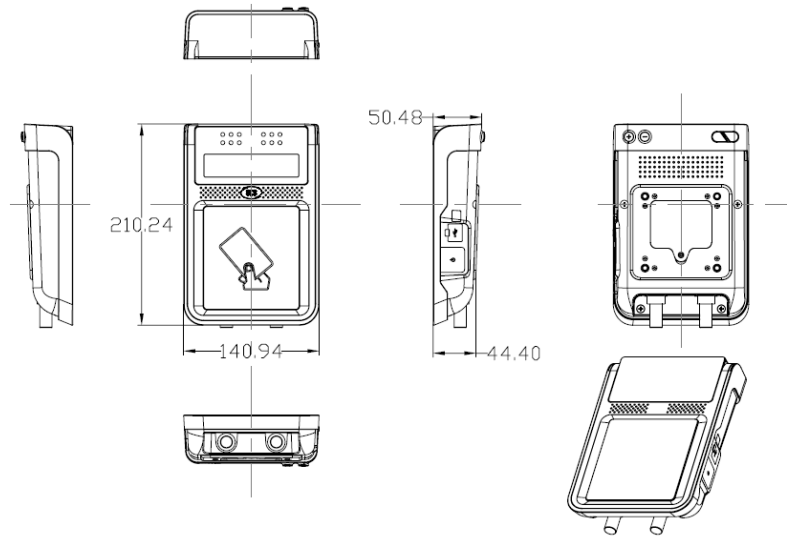
- Comply with ISO-7816 part 1-4
- Class A (5V)
- T=0 or T=1 protocol

Contactless Cards

- Comply with ISO-14443 Type A & B Standard, parts 1-4, T=CL protocol
- Mifare Classics



5.0. Technical Specifications



Processor

32-bit Arm9 Processor

Operating System

Linux

Memory

Memory..... 64MB flash + 64MB SDRAM + 2GB SD card

Power

Supply Voltage..... 9 - 45V DC

Connectivity

USB..... USB Full Speed Host

RS232 3 lines Rx/D, Tx/D and GND

Smart Card Interface

Contact - SAM

SAM card slots Two ID-000 slots

Card connector type..... Contact

Smart card read / write speed 9600-76800 bps

Contactless

Standard..... ISO-14443 A & B part 1-4

Protocol Mifare® Classics protocols, T=CL

Smart card read / write speed 106 kbps

Operating distance..... up to 70 mm

Operating Frequency 13.56 MHz

Human Interface

LCD Display..... Graphical LCD with Backlight

LED Indicators..... Two Bi-Color LED (Red /Orange/ Green) Indicators

Speaker..... 8Ω dynamic type, 1/4 W

Buzzer..... Dynamic type

Physical Specification

Dimensions..... Device : 210mm(L) x 142mm (W) x 50mm (H)

Case Color..... Black

Operating Conditions

Temperature..... -20 ~ +70 °C

Humidity..... 20 ~ 99%

Optional Features

GPS