



SMART CARD READER MODULE

ACM39U-Y3

SECURE & CONVENIENT

ACS' ACM39U-Y3 is the latest solution for secured access control through integration of the module into various machines, such as embedded systems, ticketing kiosks and ballot machines. The module uses the latest microchip technology, bringing you high security for your confidential files.

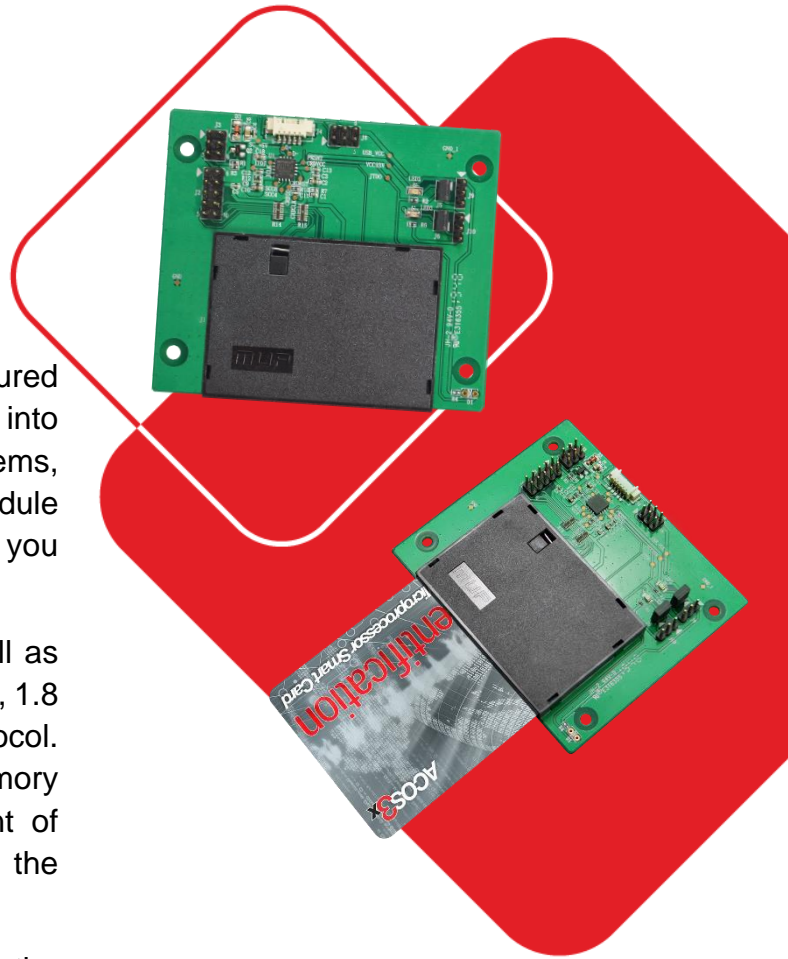
The module supports firmware upgrade, as well as ISO 7816 Class A, B and C smart cards (5 V, 3 V, 1.8 V), microprocessor cards with the T=0, T=1 protocol. It also accommodates a wide variety of memory cards in the market, including the Department of Defense Common Access Card (CAC), the SIPRNET Card, and the J-LIS Card.

Aside from being PC/SC and CCID compliant, the module's drivers are also compatible with operating systems such as Windows®, Linux®, macOS, Solaris™ and Android™ (Versions 3.1 and Later)¹.

With its widely applicable features, the ACM39U-Y3 is sure to be the ideal module for Security, e-Banking, e-Payment and e-Government applications.

KEY FEATURES

- ✓ **Supports Various Types of Contact Cards**
 - ISO 7816 Class A, B and C (5 V, 3 V and 1.8 V)
 - Microprocessor Card (T=0, T=1)
 - Memory Card
 - CAC, SIPRNET, and J-LIS Smart Cards
- ✓ **Reliable**
 - Certified for International Regulations
 - EN 62368/IEC 62368, CE, UKCA, FCC, RoHS, REACH, VCCI, Microsoft® WHQL, EMV™ Level 1 (Contact), J-LIS, ISO 7816, USB Full Speed
 - Mean Time Between Failures (MTBF) up to 500k Hours
 - Card Insertion Cycles: 200k Times
 - Features Short Circuit Protection
 - Supports PPS (Protocol and Parameters Selection)
- ✓ **Compatible**
 - Supports All Major Operating Systems
 - Windows®, Linux®, macOS, Android™ and Solaris™



COMMON APPLICATIONS

- e-Government
- e-Banking and e-Payment
- e-Healthcare
- Public Key Infrastructure
- Network Security
- Access Control
- e-Purse and Loyalty

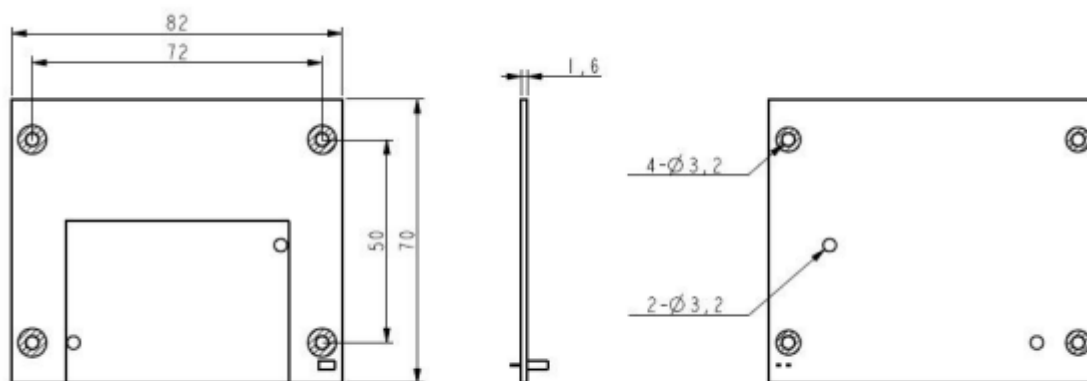


TECHNICAL SPECIFICATIONS

Contact Smart Card Interface	
Number of Slot(s)	1 Full-Sized Card Slot
Supply Current	Max. 50 mA
Supported Card Types	ISO 7816 Parts 1-4, Class A, B, C (5 V, 3 V, 1.8 V), Microprocessor Card (T=0, T=1), Memory Card, CAC, SIPRNET, J-LIS Smart Cards
Supply Current	Max. 50 mA
Read/Write Speed	9.6 – 600 Kbps
Clock Frequency	4.80 MHz; Operates up to 16MHz
Card Connector	Landing
Card Insertion Cycles	Min. 200,000
PPS (Protocol and Parameters Selection)	Supported
Short Circuit Protection	Supported
Host Interface	
Protocol	USB CCID
Connector Type	1 x 5 Pins Header Connector; 2 x 3 Pins Header Connector
USB Interface	USB 2.0 Full Speed (12Mbps) Compatible with USB 3.0
Power Source	From USB Port
Supply Voltage	5 V

Physical Characteristics	
Dimensions	70.0 mm (L) x 82.0 mm (W) x 10.0 mm (H)
Weight	32 g
Peripherals	
LED(s)	Green & Red
Operating Conditions	
Temperature	0 - 60°C
Humidity	90% (Non-Condensing)
MTBF	500,000 Hours
Drivers & Support	
Driver Supported OS	Windows®, Linux®, macOS Android™, Solaris™
Model/Part Number	
Default	ACM39U-Y3
Certifications	
System/Standards	EN60950/IEC 60950, ISO7816, USB Full Speed, EMV™ Level 1 (Contact), PC/SC, CCID, CE, FCC, WEEE, RoHS, REACH, Microsoft® WHQL
Application Programming Interface	
PC-Linked Mode	PC/SC

MECHANICAL SPECIFICATIONS



About ACS

Advanced Card Systems Ltd. (ACS), founded in 1995, is Asia Pacific's top supplier and one of the world's top 3 suppliers of PC-linked smart card readers. ACS is the winner of the Product Quality Leadership Award for Smart Card Readers from Frost & Sullivan. In 2010, 2014 and 2015, ACS was listed in Forbes Asia's "Best Under a Billion" list, an inter-industry list comprised of 200 top-performing publicly listed companies in the Asia-Pacific, with sales between US\$5 million and US\$1 billion. ACS develops a wide range of high-quality smart card reading/writing devices, smart cards and related products and distributes them to over 100 countries worldwide.

Click [here](#) for Sales Enquiry

Tel: +852-2796-7873

Fax: +852-2796-1286

EMV is a registered trademark or trademark of EMVCo LLC in the United States and other countries.
 macOS and Safari® are registered trademarks of Apple Inc., registered in the U.S. and other countries.
 Windows® is a trademark of Microsoft Corporation in the United States and/or other countries.
 Android™ and Google Chrome™ are trademarks of Google LLC.
 Linux® is the registered trademark of Linus Torvalds in the U.S. and other countries.
 Solaris is a registered trademark of Oracle and/or its affiliates in the United States and other countries.



www.acs.com.hk

info@acs.com.hk