



CONTACT SMART CARD READER

# ACR40T

## COMPACT & MODERN

ACR40T is ACS's newest compact high-speed USB contact SIM-sized smart card reader. It supports firmware upgrade, as well as **ISO 7816 Class A, B and C smart cards** (5 V, 3 V, 1.8 V), **microprocessor cards** with the T=0, T=1 protocol, and a wide variety of memory cards in the market.

Combining sophisticated and ground-breaking modern technology, the competitive advantage of ACR40T lies in its compact size and sliding smart card entry slot, allowing for hassle-free application.

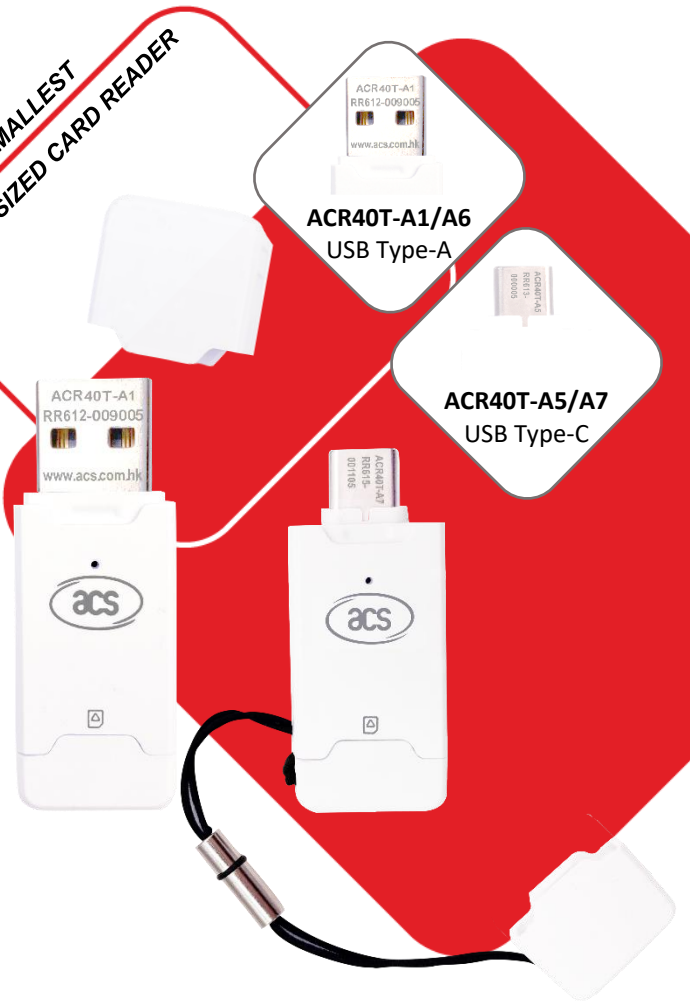
ACR40T is also available in premium, providing users with a built-in button for specific application usage. This function is also essential for acknowledging user presence as it ensures that the user is physically present in order to interact with the application.

Compliant with both CCID and PC/SC as well as Microsoft® WHQL, ACR40T is also compatible with various operating systems such as **Windows®**, **Linux®**, **macOS**, **Android™**, and is able to connect with both USB Type-A and USB Type-C respectively.

### KEY FEATURES

- ✓ **Multiple Configurations**
  - Standard: Basic card read/write support
  - Premium: Built-in button for user-defined secure application usage (i.e. multi-factor authentication)
- ✓ **Supports Various Types of Contact Cards**
  - ISO 7816 Class A, B and C (5 V, 3 V and 1.8 V)
  - Microprocessor Card (T=0, T=1)
  - Memory Card
- ✓ **Reliable**
  - Certified for international regulations
    - UL 62368, CE, UKCA, FCC, RoHS, REACH, VCCI, Microsoft® WHQL
  - Mean Time Between Failures (MTBF) up to 600k Hours
  - Card Insertion Cycles: 100k Times
  - Short Circuit Protection
- ✓ **Compatible**
  - Supports all major operating systems
    - Windows®, Linux®, macOS, Android™
  - Supports firmware upgrade

WORLD'S SMALLEST  
SIM-SIZED CARD READER



### COMMON APPLICATIONS

- e-Government
- e-Banking and e-Payment
- e-Healthcare
- Public Key Infrastructure
- Network Security

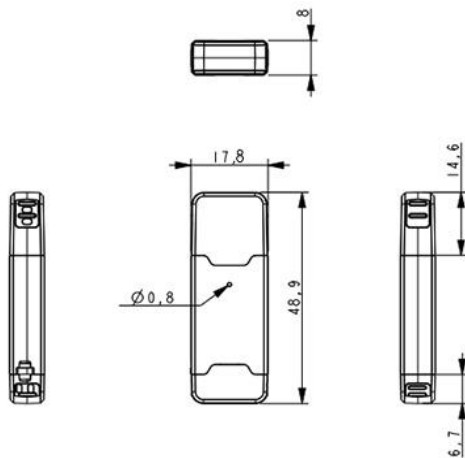


## TECHNICAL SPECIFICATIONS

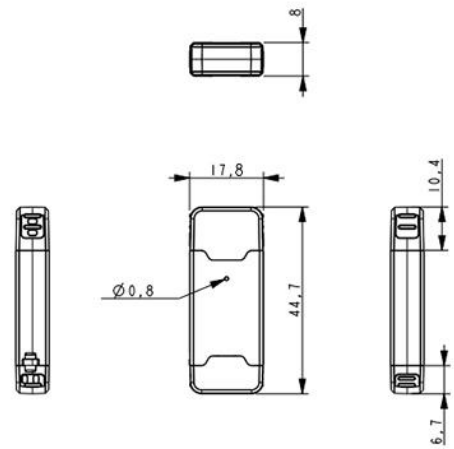
Contact Smart Card Interface	
Number of Slot(s)	1 SIM-Sized Card Slot (2FF)
Supported Card Types	ISO 7816 Parts 1-4, Class A, B, C (5 V, 3 V, 1.8 V), Microprocessor Card (T=0, T=1), Memory Card
Supply Current	Max. 50 mA
Read/Write Speed	9.6 – 600 Kbps
Clock Frequency	4.80 MHz; Operates Up to 16MHz
Card Connector	Contact
Card Insertion Cycles	Min. 100,000
PPS (Protocol and Parameters Selection)	Supported
Short Circuit Protection	Supported
Host Interface	
Protocol	USB CCID
Connector Type	Standard Type-A/Type-C
USB Interface	USB 2.0 Full Speed (12Mbps) Compatible with USB 3.0
Supply Voltage	5 V
Application Programming Interface	
PC-Linked Mode	PC/SC
Other Features	
Firmware Upgrade	Supported

Physical Characteristics	
Dimensions	Type-A: 48.9mm (L) × 17.8mm (W) × 8.0mm (H) Type-C: 44.7mm (L) × 17.8mm (W) × 8.0mm (H)
Weight	Type-A: 7.63 g ± 0.76 g Type-C: 5.20 g ± 0.52 g
Available Colour(s)	White
Peripherals	
LED	Green
Operating Conditions	
Temperature	0 - 65°C
Humidity	95% (Non-Condensing)
MTBF	600,000 Hours
Certifications & Compliances	
Certifications	UL 62368, CE, UKCA, FCC, RoHS, REACH, VCCI, Microsoft® WHQL
Compliances	USB CCID, PC/SC
Drivers & Support	
Driver Supported OS	Windows®, Linux®, macOS, Android™
Model/Part Number	
Standard [Loop String Not Included]	ACR40T-A1 (USB Type-A) ACR40T-A5 (USB Type-C)
Premium [Built-In Button and Loop String Included]	ACR40T-A6 (USB Type-A) ACR40T-A7 (USB Type-C)

## MECHANICAL SPECIFICATIONS



Pictured Above: ACR40T-A1 [Type-A]<sup>1</sup>



Pictured Above: ACR40T-A5 [Type-C]<sup>1</sup>

<sup>1</sup> Note: Both ACR40T-A6 [Type-A] and ACR40T-A7 [Type-C] contain a built-in button on the rear end of the reader.

### About ACS

Advanced Card Systems Ltd. (ACS), founded in 1995, is Asia Pacific's top supplier and one of the world's top 3 suppliers of PC-linked smart card readers. ACS is the winner of the Product Quality Leadership Award for Smart Card Readers from Frost & Sullivan. In 2010, 2014 and 2015, ACS was listed in Forbes Asia's "Best Under a Billion" list, an inter-industry list comprised of 200 top-performing publicly listed companies in the Asia-Pacific, with sales between US\$5 million and US\$1 billion. ACS develops a wide range of high-quality smart card reading/writing devices, smart cards and related products and distributes them to over 100 countries worldwide.

Click [here](#) for Sales Enquiry

Tel: +852-2796-7873

Fax: +852-2796-1286

Android is a trademark of Google LLC.

Linux® is the registered trademark of Linus Torvalds in the U.S. and other countries.

macOS is a trademark of Apple Inc., registered in the U.S. and other countries.

Microsoft® and Windows® are either registered trademarks or trademarks of the Microsoft Corporation in the United States and/or other countries.



[www.acs.com.hk](http://www.acs.com.hk)

[info@acs.com.hk](mailto:info@acs.com.hk)