



CONTACTLESS READERS

# WalletMate II

Mobile Wallet NFC Reader  
(Apple VAS & Google Smart Tap Certified)

The WalletMate II is an NFC reader specifically designed to enhance NFC applications on smartphones. It has earned certification from Apple VAS and Google Smart Tap protocols, enabling it to support virtual passes such as loyalty cards, tickets, and staff/student ID cards across both iOS and Android platforms. This ensures a smooth, cardless user experience. With the application of the VAS protocol, a simple tap-to-go experience is facilitated, allowing the terminal to select specific wallet passes using a merchant-specific ID.

It supports FIDO/FIDO2 devices and cards with NFC, such as the [PocketKey](#) series.

The WalletMate II is developed based on 13.56MHz, it supports ISO 14443 Type A and B cards, MIFARE®, FeliCa, and ISO 18092-compliant NFC tags.

As a CCID & PC/SC compliant reader, the WalletMate II is a plug-and-play device that leverages high-speed communication for contactless cards, reaching up to 848 kbps. This makes it an ideal choice for high-performance applications. The device operates in three modes: NFC reader/writer, keyboard emulation, and card emulation. These features make WalletMate II an effective and versatile solution for various smart card applications.



## KEY FEATURES

- ✓ **Support various types of contactless card**
  - ISO 14443 Type A & B
  - ISO 15693
  - ISO 18092 NFC
  - MIFARE® (T=CL), FeliCa, NFC Tags
  - SRI/SRIX, CTS, Innovatron, Picopass, Topaz Card
- ✓ **Apple VAS & Google Smart Tap Certified**
  - Certified for Apple VAS and compatible with Google Smart Tap protocols
  - Support ECP1.0 and ECP 2.0
- ✓ **Support various NFC modes**
  - Smart Card Reader/Writer, Keyboard Emulation, Card Emulation
- ✓ **Secure**
  - Private Key (LTPK) stored inside secure element for both Apple VAS and Google Smart Tap
- ✓ **Support Firmware Upgrade**
- ✓ **Reliable**
  - Certified for international regulations
  - Mean time between failures (MTBF) up to 500k Hours
- ✓ **High Compatibility**
  - Support for all major operating systems
    - Windows®, Linux®, Mac OS®, Android™



## Common Applications

- E-Government
- E-Banking and e-Payment
- E-Healthcare
- Transportation
- Network Security
- Access Control
- Loyalty Program
- FIDO Authentication



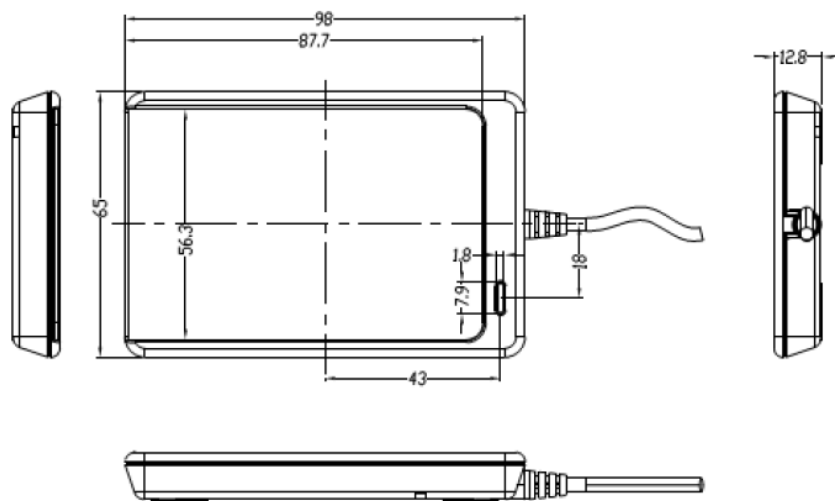


## TECHNICAL SPECIFICATION

Contactless Smart Card Interface	
Supported Card Types	ISO 14443 Type A & B Parts 1-4, ISO 15693, ISO 18092 NFC, MIFARE Classic®, MIFARE® DESFire®, MIFARE Ultralight®, MIFARE Plus®, FeliCa, SRI/SRIX, CTS, Innovatron, Picopass, Topaz, FIDO/FIDO2 devices and cards with NFC
Operating Frequency	13.56 MHz
Reading Distance	Up to 70 mm (Depending on tag type)
Read/Write Speed	106/212/424/848 kbps (ISO 14443) 26 kbps (ISO 15693)
Anti-Collision	Yes
Supported NFC Mode	NFC Reader/Writer, Keyboard Emulation, Card Emulation,
SAM Card Interface	
Standard	1 x ISO 7816 Class A (5V, 3V) Standard SIM size slot
Read/Write Speed	13.4 kbps – 1,250 kbps
Clock Frequency	5 MHz, up to 10MHz (Upon request)
Protocol	T=0, T=1
Host Interface	
Protocol	USB CCID
Connector Type	USB Type-A
Speed	USB 2.0 Full Speed (12 Mbps) compatible with USB 3.0
Supply Voltage	5VDC
Current Consumption	Max. 300mA
Firmware Upgrade	Supported

Physical Characteristics	
Dimension (L x W x H)	Main Body: 98.0 x 65.0 x 12.8 mm Antenna size: 50.0 x 40.0 mm
Weight	89g
Available Colour	White
Cable Length	1m
Peripherals	
Buzzer	1 x Programmable Buzzer (Mono-tone)
LED	1 x Programmable LED (Blue & Green)
Operating Condition	
Temperature	-20 - 70°C
Humidity	Max. 90% (Non-condensing)
MTBF	500,000 Hours
Certifications/ Compliances	
Standards	USB CCID, PC/SC, Microsoft® WHQL, J-LIS, Apple VAS, Google Smart Tap
Regulatory / Environmental	CE, UKCA, FCC, VCCI, RoHS, REACH, WEEE, MIC
Libraries & Tools	
Libraries	Apple VAS API, Google Smart Tap API, CT-API
Tools	ACS VAS Test Tools with API Software Development Kit
Drivers & Support	
Driver Supported OS	Windows®, Linux®, macOS, Android™
Warranty	1 Year
Model/Part Number	
Default	ACR1552U-MW

## MECHANICAL SPECIFICATION



Unit: mm

### About ACS

Advanced Card Systems Ltd. (ACS), founded in 1995, is Asia Pacific's top supplier and one of the world's top 3 suppliers of PC-linked smart card readers. ACS is the winner of the Product Quality Leadership Award for Smart Card Readers from Frost & Sullivan. ACS was listed in Forbes Asia's "Best Under a Billion" list for several years, an inter-industry list comprised of 200 top-performing publicly listed companies in the Asia-Pacific, with sales between US\$5 million and US\$1 billion. ACS develops a wide range of high-quality smart card reading/writing devices, smart cards and related products and distributes them to over 100 countries worldwide.

Click [here](#) for Sales Enquiry  
Tel: +852-2796-7873  
Fax: +852-2796-1286

macOS is a registered trademark of Apple Inc., registered in the U.S. and other countries.  
Windows® is a trademark of Microsoft Corporation in the United States and/or other countries.  
Android™ is a trademark of Google LLC.  
Linux® is a registered trademark of Linus Torvalds in the U.S. and other countries.

