



PC-LINKED SMART CARD READER  
MOBILE CARD READER

# ACR39U-N

PORTABLE & ADAPTABLE

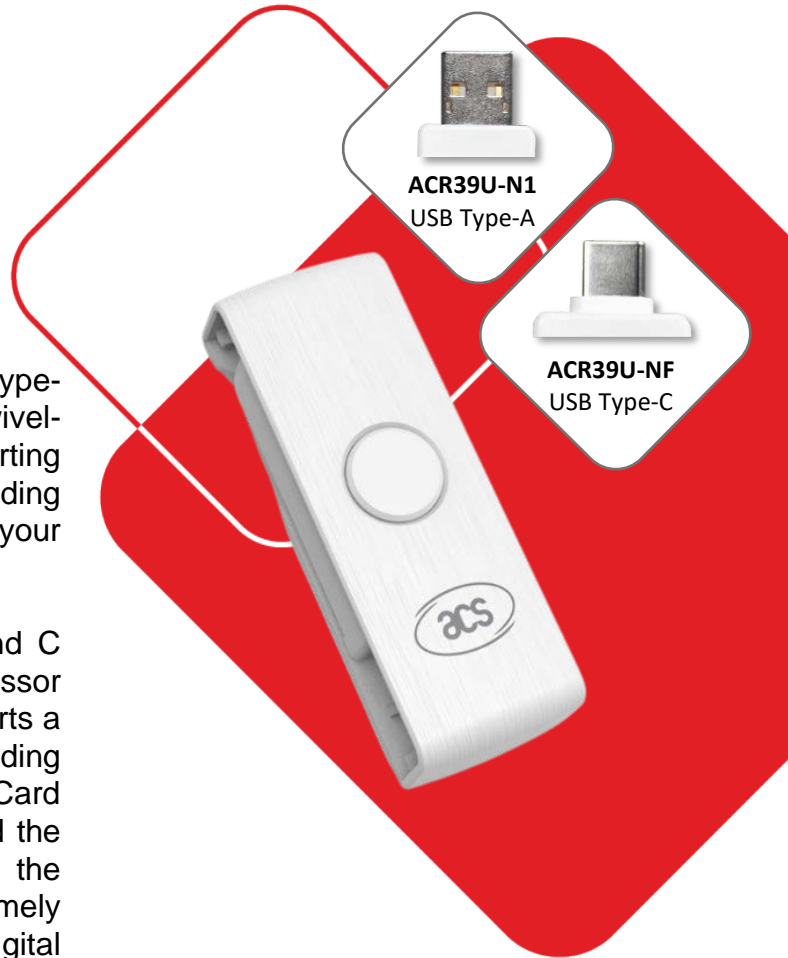
The ACR39 PocketMate II with USB Type A & Type-C Connector incorporates a safe-keeping Swivel-USB-Go-design. The reader is capable of supporting demanding smart card applications, providing valuable and reliable functionalities to meet your security needs.

The device supports ISO 7816 Class A, B and C smart cards (5 V, 3 V and 1.8 V), microprocessor cards with T=0 and T=1 protocol. It also supports a wide variety of memory cards in the market, including the Department of Defense Common Access Card (CAC), the SIPRNET Card, the J-LIS Card and the Malaysian Identity Card (MyKad). This makes the reader ideal for a broad range of solutions, namely Physical and Logical Access Control, Digital Signature and Online Banking Applications.

Besides, the ACR39 PocketMate II is compliant with CCID, PC/SC, and Microsoft® WHQL standards, ensuring seamless integration with various operating systems such as Windows®, Linux®, macOS, iOS, iPadOS, Android™ and Solaris™.

## KEY FEATURES

- ✔ **Supports Various Types of Contact Cards**
  - ISO 7816 Class A, B and C (5 V, 3 V and 1.8 V)
  - Microprocessor Card (T=0, T=1)
  - Memory Card
  - MyKad, CAC, J-LIS, SIPRNET Cards
- ✔ **Reliable**
  - Certified for International Regulations
    - CE, FCC, UKCA, VCCI, RoHS, REACH, WEEE, UL 62368, IEC/EN 62368, EMV™ Level 1 (Contact), PBOC Level 1 (Contact), KC, J-LIS, TAA, Microsoft® WHQL
- ✔ **Compatible**
  - Windows®, Linux®, macOS, iOS, iPadOS, Android™, Solaris™



## COMMON APPLICATIONS

- e-Government
- e-Banking and e-Payment
- e-Healthcare
- Public Key Infrastructure
- Network Security
- Access Control
- Loyalty Program

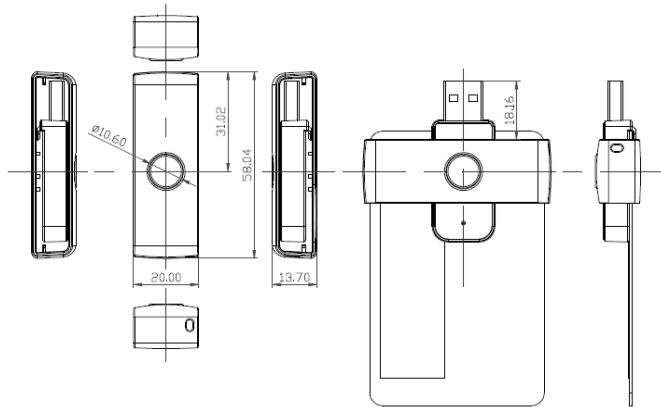


## TECHNICAL SPECIFICATIONS

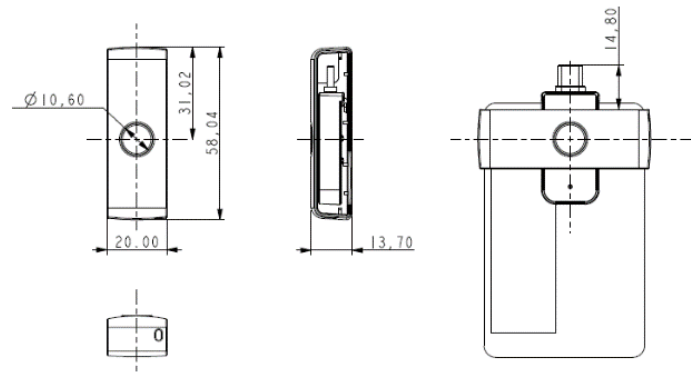
Contact Smart Card Interface	
Number of Slot(s)	1 Full-Sized Card Slot
Supported Card Types	ISO 7816 Parts 1-4, Class A, B, C (5 V, 3 V, 1.8 V), Microprocessor Card (T=0, T=1), Memory Card, MyKad, CAC, J-LIS, SIPRNET Card
Supply Current	Max. 50 mA
Read/Write Speed	9.6 – 600 Kbps
Clock Frequency	4.80 MHz, Operates Up to 16MHz
Card Connector	6pin Contact
Card Insertion Cycles	Min. 200,000
PPS (Protocol and Parameters Selection)	Supported
Short Circuit Protection	Supported
Host Interface	
Protocol	USB CCID
Connector Type	<b>N1:</b> USB Type-A <b>NF:</b> USB Type-C
Power Source	From USB Port
USB Interface	USB 2.0 Full Speed (12Mbps) Compatible with USB 3.0
Supply Voltage	5 V
Application Programming Interface	
PC-Linked Mode	PC/SC

Physical Characteristics	
Dimensions	<b>Type-A/Type C:</b> 58.0 mm (L) × 20.0 mm (W) × 13.7 mm (H)
Weight	<b>Type-A:</b> 12 g ± 1.2 g <b>Type-C:</b> 10 g ± 1.0 g
Available Colour(s)	White
Peripherals	
LED	Green
Operating Conditions	
Temperature	0 - 60°C
Humidity	Max. 90% (Non-Condensing)
MTBF	500,000 Hours
Certifications & Compliances	
Certifications	CE, FCC, UKCA, VCCI, RoHS, REACH, WEEE, UL 62368, IEC/EN 62368, EMV™ Level 1 (Contact), PBOC Level 1 (Contact), KC, J-LIS, TAA, Microsoft® WHQL
Compliances	USB CCID, PC/SC
Driver & Support	
Driver Supported OS	Windows®, Linux®, macOS, iOS, iPadOS, Android™, Solaris™
Model/Part Number	
Default [USB Type-A]	ACR39U-N1
Default [USB Type-C]	ACR39U-NF

## MECHANICAL SPECIFICATIONS



**Pictured Above: ACR39U-N1 [Type-A]**



**Pictured Above: ACR39U-NF [Type-C]**

### About ACS

Advanced Card Systems Ltd. (ACS), founded in 1995, is Asia Pacific's top supplier and one of the world's top 3 suppliers of PC-linked smart card readers. ACS is the winner of the Product Quality Leadership Award for Smart Card Readers from Frost & Sullivan. ACS was listed in Forbes Asia's "Best Under a Billion" list for several years, an inter-industry list comprised of 200 top-performing publicly listed companies in the Asia-Pacific, with sales between US\$5 million and US\$1 billion. ACS develops a wide range of high-quality smart card reading/writing devices, smart cards and related products and distributes them to over 100 countries worldwide.

Click [here](#) for Sales Enquiry

Tel: +852-2796-7873

Fax: +852-2796-1286

Android is a trademark of Google LLC.

Linux® is the registered trademark of Linus Torvalds in the U.S. and other countries.

macOS is a trademark of Apple Inc., registered in the U.S. and other countries.

Microsoft® and Windows® are either registered trademarks or trademarks of the Microsoft Corporation in the United States and/or other countries.

Solaris is a registered trademark of Oracle and/or its affiliates in the United States and other countries.

