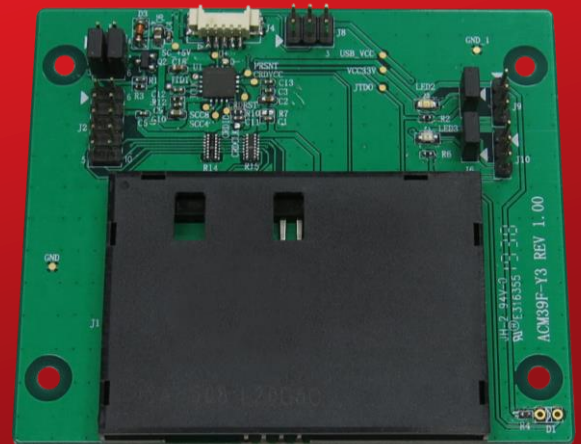




Advanced Card Systems Ltd.
Card & Reader Technologies

ACM39U-Y3 Smart Card Reader Module



Technical Specifications V1.01



Table of Contents

1.0.	Introduction	3
1.1.	Smart Card Reader.....	3
1.2.	Ease of Integration.....	3
2.0.	Features	4
3.0.	Supported Card Types.....	5
3.1.	MCU Cards	5
3.2.	Memory-based Smart Cards.....	5
4.0.	Typical Applications	6
5.0.	Technical Specifications	7

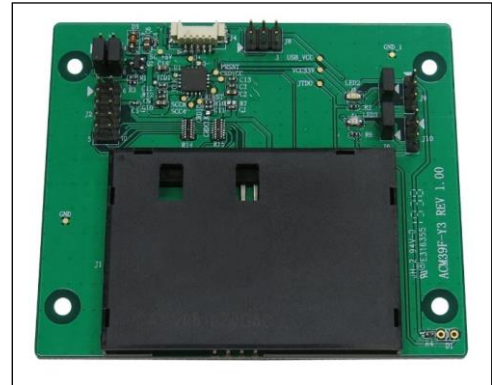


1.0. Introduction

The ACM39U-Y3 provides a solution for secured access control by employing the globally recognized ACR39 core. It comes in module form to enable easy implementation of smart card-based solutions in embedded systems. The ACM39U-Y3 uses the latest microchip technology, bringing you high security for your confidential files in a convenient and easy way.

1.1. Smart Card Reader

The ACM39U-Y3 supports ISO 7816 Class A, B, and C smart cards. It also works with memory cards and microprocessor cards with T=0 and T=1 protocol. It features a USB Full Speed interface and a smart card read/write speed of 600 Kbps. This exceptionally durable device lasts for at least 200,000 card insertion cycles.



1.2. Ease of Integration

The ACM39U-Y3 is easy to install and use with various environments. Being PC/SC and CCID-compliant, its drivers are compatible with operating systems such as Windows®, Linux®, and Mac OS®. In addition, the ACM39U-Y3 can also be integrated with systems running the Android™ platform with versions 3.1 and later.

With its various features, the ACM39U-Y3 is a powerful component that is ideal for Security, e-Banking, e-Payment, and e-Government applications.



2.0. Features

- USB Full Speed Interface
- Plug and Play – CCID support brings utmost mobility
- Smart Card Reader:
 - Contact Interface:
 - Supports ISO 7816 Class A, B and C (5 V, 3 V, 1.8 V) cards
 - Supports CAC (Common Access Card)
 - Supports SIPRNET Card
 - Supports J-LIS Card
 - Supports microprocessor cards with T=0 or T=1 protocol
 - Supports memory cards
 - Supports PPS (Protocol and Parameters Selection)
 - Features Short Circuit Protection
 - Application Programming Interface:
 - Supports PC/SC
 - Supports CT-API (through wrapper on top of PC/SC)
- Supports Android™ 3.1 and later¹
- Compliant with the following standards:
 - EN 60950/IEC 60950
 - ISO 7816
 - EMV™ Level 1 (Contact)
 - PC/SC
 - CCID
 - CE
 - FCC
 - WEEE
 - RoHS
 - REACH
 - Microsoft® WHQL

¹ PC/SC and CCID support are not applicable



3.0. Supported Card Types

3.1. MCU Cards

The ACM39U-Y3 works with MCU cards following either the T=0 or T=1 protocol. It also works with CAC cards, making it ideal for US PIV and PKI applications.

3.2. Memory-based Smart Cards

The ACM39U-Y3 works with several memory-based smart cards such as:

- Cards following the I2C bus protocol (free memory cards) with maximum 128-byte page with capability, including:
 - Atmel®: AT24C01/02/04/08/16/32/64/128/256/512/1024
 - SGS-Thomson: ST14C02C, ST14C04C
 - Gemplus: GFM1K, GFM2K, GFM4K, GFM8K
- Cards with intelligent 1-kilobyte EEPROM with write-protect function, including:
 - Infineon®: SLE4418, SLE4428, SLE5518 and SLE5528
- Cards with intelligent 256-byte EEPROM with write-protect function, including:
 - Infineon®: SLE4432, SLE4442, SLE5532 and SLE5542

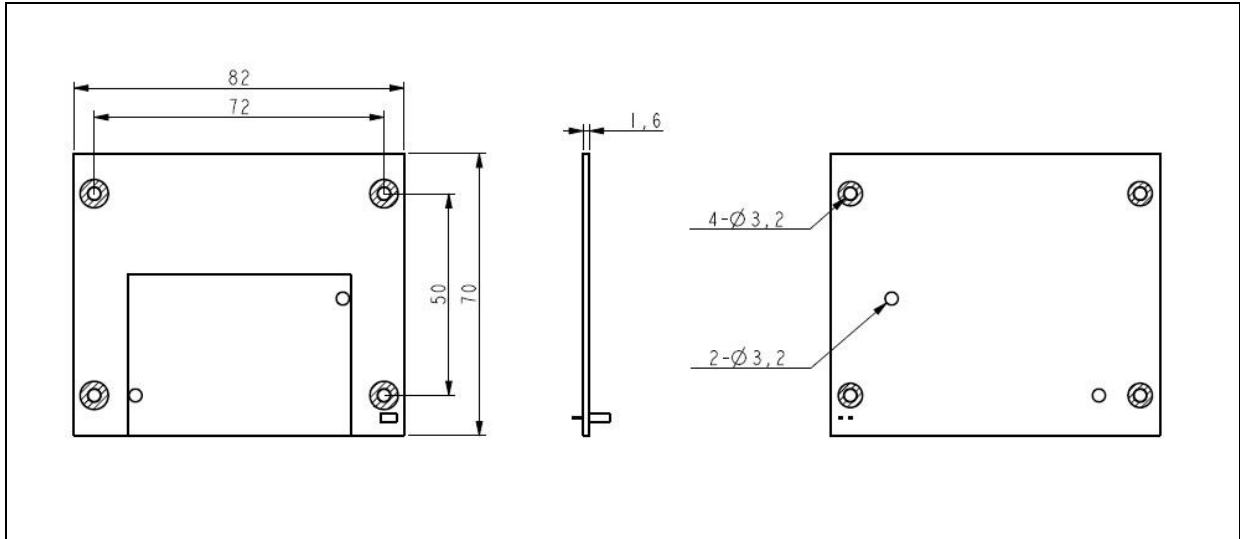


4.0. Typical Applications

- e-Government
- Banking and Payment
- e-Healthcare
- Public Key Infrastructure
- Network Security
- Access Control
- e-Purse and Loyalty



5.0. Technical Specifications



Physical Specifications

Dimensions 70 mm (L) × 82 mm (W) × 10 mm (H)
Weight 32 g

USB Host Interface

Protocol USB CCID
Connector Type 1x5 Pin Header Connector, 2x3 Pin Header Connector
Power Source From USB port
Speed USB Full Speed (12 Mbps)
Supply Voltage 5 V

Contact Smart Card Interface

Number of Slots 1 Full-sized Card Slot
Standard ISO 7816, Class A, B, C (5 V, 3 V, 1.8 V)
Protocol T=0; T=1; Memory Card Support
Supply Current Max. 50 mA
Smart Card Read/Write Speed 9.6 Kbps – 600 Kbps
Short Circuit Protection (+5) V/GND on all pins
Clock Frequency 4.80 MHz
Card Connector Landing
Card Insertion Cycles Min. 200,000

Built-in Peripheral

LED (optional) 2 single-color: Green and Red

Operating Conditions

Temperature 0 °C – 60 °C
Humidity Max. 90% (non-condensing)
MTBF 500,000 hrs

Application Programming Interface

PC-linked mode PC/SC
..... CT-API (through wrapper on top of PC/SC)

Certifications/Compliance

EN60950/IEC 60950, ISO 7816, USB Full Speed, EMV™ Level 1 (Contact), PC/SC, CCID, CE, FCC, WEEE, RoHS, REACH, Microsoft® WHQL



Device Driver Operating System Support

Windows® 7, Windows® 8, Windows® 8.1, Windows® 10
 Windows® Server 2003, Windows® Server 2008, Windows® Server 2008 R2, Windows® Server 2012,
 Windows® Server 2012 R2, Windows® Server 2016
 Linux®, Mac OS®, Android™ 3.1 and later



Android is a trademark of Google Inc.
 The Android robot is reproduced or modified from work created and shared by Google and used according to terms described in the Creative Commons 3.0 Attribution License.
 Atmel is registered trademark of Atmel Corporation or its subsidiaries, in the US and/or other countries.
 EMV™ is a trademark owned by EMVCo LLC.
 Infineon is a registered trademark of Infineon Technologies AG.
 Linux® is the registered trademark of Linus Torvalds in the U.S. and other countries.
 Mac OS is a trademark of Apple Inc.
 Microsoft, Windows and Windows Vista are registered trademarks of Microsoft Corporation in the United States and/or other countries.