



PC-LINKED SMART CARD READER

# ACR39U-W1

SLEEK & STYLISH

ACR39U-W1 is a sleek and stylish smart card reader that facilitates the simultaneous accommodation of two smart cards.

The device supports ISO 7816 Class A, B and C smart cards (5 V, 3 V, 1.8 V), microprocessor cards with the T=0, T=1 protocol, CAC, PIV, SIPRNET, J-LIS Smart Cards, Malaysian Identity Card (MyKad), as well as various memory cards in the market.

ACR39U-W1's competitive advantage lies in its dual slot feature that allows users to operate two smart cards simultaneously. This enables efficiency and enhances security in smart card applications. This dual slot solution enables independent functioning of both card slots, facilitating smoother and uninterrupted transaction flow.

The reader is also compliant with both CCID and PC/SC, and is compatible with various operating systems such as Windows®, Linux®, macOS and Android™.



## COMMON APPLICATIONS

- e-Government
- e-Banking and e-Payment
- e-Healthcare
- Public Key Infrastructure
- Network Security
- Access Control
- e-Purse and Loyalty Program

## KEY FEATURES

- ✓ **Innovative Dual Slot Card Design**
  - Independent Functioning Card Slots
- ✓ **Supports Various Types of Contact Cards**
  - ISO 7816 Class A, B and C (5 V, 3 V and 1.8 V)
  - Microprocessor Card (T=0 or T=1)
  - Memory Card
  - Mykad Card
  - CAC, PIV, SIPRNET, J-LIS Smart Card
- ✓ **Reliable**
  - Compliant with International Regulations
  - Mean Time Between Failures (MTBF) up to 500k Hours
  - Card Insertion Cycles: 100k Times
  - Short Circuit Protection
- ✓ **Compatible**
  - Supports All Major Operating Systems
    - Windows®, Linux®, macOS and Android™

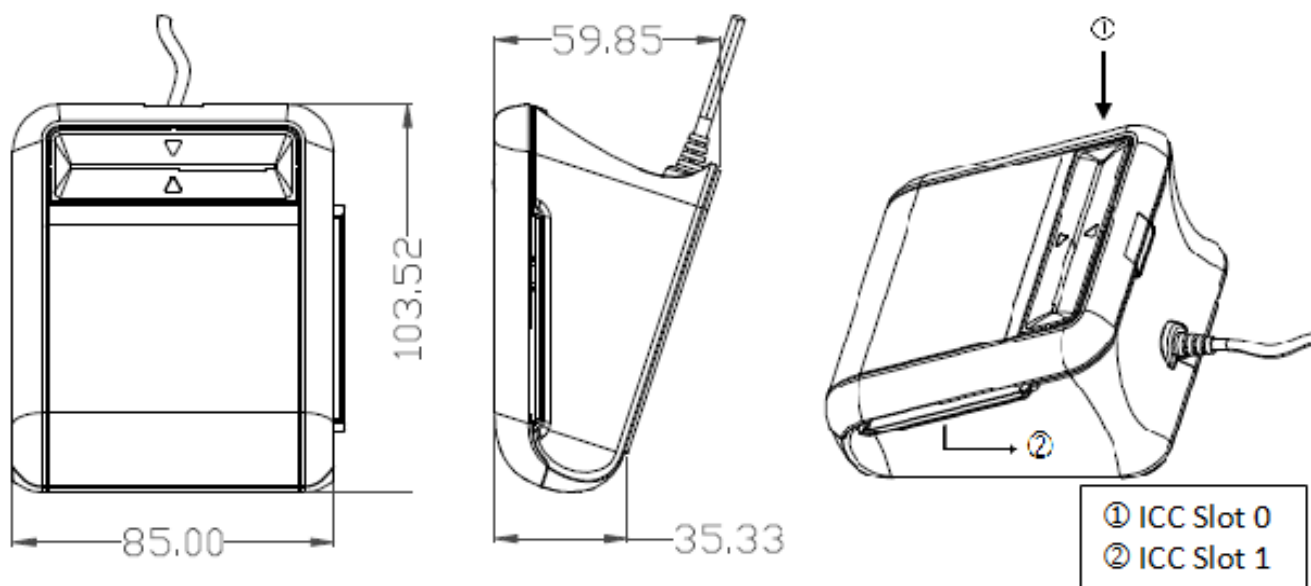


## TECHNICAL SPECIFICATIONS

Contact Smart Card Interface	
Number of Slot(s)	2 Full-Sized Card Slots
Supported Card Types	ISO 7816 Class A, B, C (5 V, 3 V, 1.8 V), Microprocessor Card (T=0, T=1), Memory Card, Mykad Card, CAC, J-LIS, PIV, SIPRNET Smart Cards
Supply Current	Max. 50 mA
Read/Write Speed	9.6 - 600 Kbps
Clock Frequency	4.80 MHz, Operates Up to 16MHz
Card Connector	Contact/ Sliding
Card Insertion Cycles	Min. 100,000
PPS (Protocol and Parameters Selection)	Supported
Short Circuit Protection	Supported
Host Interface	
Protocol	USB CCID
Connector Type	USB Type-A
USB Interface	USB 2.0 Full Speed (12Mbps) Compatible with USB 3.0
Supply Voltage	5 V
Cable Length	1.5 m (Non-Detachable)

Physical Characteristics	
Dimensions	103.5mm (L) × 85.0mm (W) × 59.9mm (H)
Weight	310 g ± 5.0 g
Available Colour	White
Peripherals	
LED(s)	Blue & Green
Operating Conditions	
Temperature	0 - 60°C
Humidity	Max. 90% (Non-Condensing)
MTBF	500,000 Hours
Power Supply	USB Port
Certifications/ Compliances	
Standards	USB CCID, PC/SC, Microsoft® WHQL
Regulatory/ Environmental	CE, IEC/EN 62368, FCC, VCCI, RoHS, REACH, WEEE
OS Support	
Supported OS	Windows®, Linux®, macOS and Android™
Plug and Play	Supported
Model/ Part Number	
Default	ACR39U-W1

## MECHANICAL SPECIFICATIONS



### About ACS

Advanced Card Systems Ltd. (ACS), founded in 1995, is Asia Pacific's top supplier and one of the world's top 3 suppliers of PC-linked smart card readers. ACS is the winner of the Product Quality Leadership Award for Smart Card Readers from Frost & Sullivan. In 2010, 2014 and 2015, ACS was listed in Forbes Asia's "Best Under a Billion" list, an inter-industry list comprised of 200 top-performing publicly listed companies in the Asia-Pacific, with sales between US\$5 million and US\$1 billion. ACS develops a wide range of high-quality smart card reading/writing devices, smart cards and related products and distributes them to over 100 countries worldwide.

Click [here](#) for Sales Enquiry

Tel: +852-2796-7873

Fax: +852-2796-1286

Android is a trademark of Google LLC.

Linux® is the registered trademark of Linus Torvalds in the U.S. and other countries.

macOS is a trademark of Apple Inc., registered in the U.S. and other countries.

Microsoft® and Windows® are either registered trademarks or trademarks of the Microsoft Corporation in the United States and/or other countries.

