



CONTACT SMART CARD READER

ACR40U

VERSATILE & CONVENIENT

Introducing the ACR40U, ACS's latest compact high-speed USB contact smart card reader. It provides seamless support for **ISO 7816 Class A, B, and C smart cards, microprocessor cards using T=0 and T=1 protocols**, and a wide range of memory cards available in the market.

The ACR40U features two LED lights, indicating card and reader status. Exciting new additions include **firmware upgradability and on-device user data storage**, catering to various application scenarios.

The ACR40U ensures compliance with CCID, PC/SC, and Microsoft® WHQL standards. It offers compatibility with multiple operating systems such as **Windows®, Linux®, macOS, iOS, iPadOS, and Android™**.

Furthermore, both **USB Type-A and Type-C** interface options are available, allowing for seamless connectivity and expanding the reader's versatility and convenience.

KEY FEATURES

- ✓ **Supports Various Types of Contact Cards**
 - ISO 7816 Class A, B and C (5 V, 3 V and 1.8 V)
 - Microprocessor Card (T=0, T=1)
 - Memory Card
 - MyKad, CAC, J-LIS, SIPRNET Smart Cards
- ✓ **Supports Firmware Upgrade**
- ✓ **Supports User Data Storage**
- ✓ **Reliable**
 - Compliant with International Regulations
- ✓ **Compatible**
 - Supports all major operating systems
 - Windows®, Linux®, macOS, iOS, iPadOS, Android™, Solaris™



COMMON APPLICATIONS

- e-Government
- e-Banking and e-Payment
- e-Healthcare
- Public Key Infrastructure
- Network Security
- Access Control
- Loyalty Program



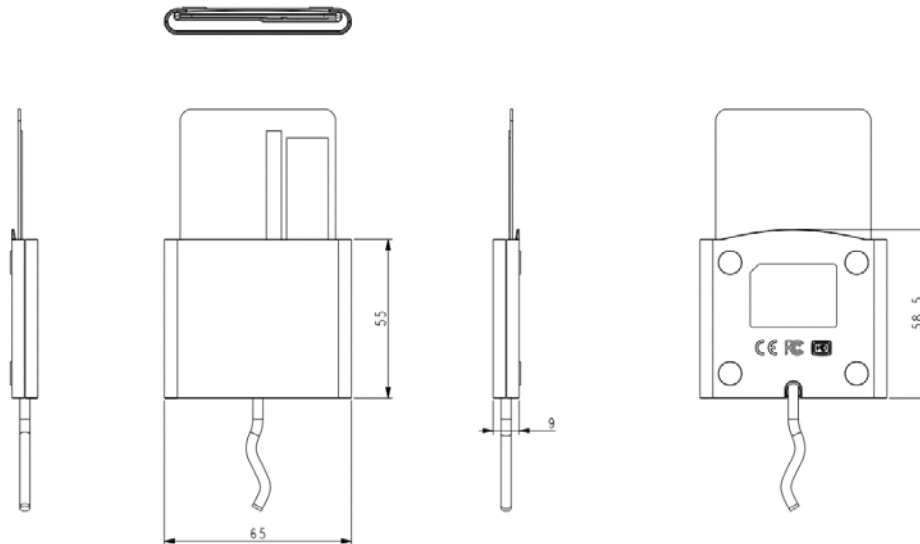
TECHNICAL SPECIFICATIONS

Contact Smart Card Interface	
Number of Slot(s)	1 Full-Sized Card Slot
Supported Card Types	ISO 7816 Parts 1-4, Class A, B, C (5 V, 3 V, 1.8 V), Microprocessor Card (T=0, T=1), Memory Card, MyKad Card, CAC, J-LIS, SIPRNET Smart Card
Supply Current	Max. 50 mA
Read/Write Speed	9.6 – 600 Kbps
Clock Frequency	4.80 MHz; Operates Up to 16MHz
Card Connector	Contact
Card Insertion Cycles	Min. 200,000
PPS (Protocol and Parameters Selection)	Supported
Short Circuit Protection	Supported
Host Interface	
Protocol	USB CCID
Connector Type(s)	ACR40U-A1: USB Type-A ACR40U-AF: USB Type-C
USB Interface	USB 2.0 Full Speed (12Mbps) Compatible with USB 3.0
Supply Voltage	5 V
Cable Length	1m (Non-Detachable)
Application Programming Interface	
PC-Linked Mode	PC/SC
Other Features	
Firmware Upgrade	Supported
User Data Storage	Supported

Physical Characteristics	
Dimensions	55.0mm (L) × 65.0mm (W) × 9.0mm (H)
Weight	40.0 g ± 5.0 g
Available Colour(s)	White
Peripherals	
LED(s)	Blue & Green
Operating Conditions	
Temperature	0 - 65°C
Humidity	Max. 95% (Non-Condensing)
MTBF	600,000 Hours
Power Supply	USB Port
Certifications/ Compliances	
Standards	USB CCID, PC/SC, EMV™ Level 1 (Contact), PBOC Level 1 (Contact), TAA, J-LIS, Microsoft® WHQL
Regulatory/ Environmental	CE, IEC/EN 62368, UKCA, FCC, VCCI, RoHS, REACH, WEEE, UL 62368, KC
OS Support	
Supported OS	Windows®, Linux®, macOS, iOS, iPadOS, Android™, Solaris™
Model/Part Number	
Default [USB Type-A]	ACR40U-A1
Default [USB Type-C]	ACR40U-AF

MECHANICAL SPECIFICATIONS

Note: All dimensions in mm



About ACS

Advanced Card Systems Ltd. (ACS), founded in 1995, is Asia Pacific's top supplier and one of the world's top 3 suppliers of PC-linked smart card readers. ACS is the winner of the Product Quality Leadership Award for Smart Card Readers from Frost & Sullivan. ACS was listed in Forbes Asia's "Best Under a Billion" list for several years, an inter-industry list comprised of 200 top-performing publicly listed companies in the Asia-Pacific, with sales between US\$5 million and US\$1 billion. ACS develops a wide range of high-quality smart card reading/writing devices, smart cards and related products and distributes them to over 100 countries worldwide.

Click [here](#) for Sales Enquiry

Tel: +852-2796-7873

Fax: +852-2796-1286

Android is a trademark of Google LLC.

Linux® is the registered trademark of Linus Torvalds in the U.S. and other countries.

macOS is a trademark of Apple Inc., registered in the U.S. and other countries.

Microsoft® and Windows® are either registered trademarks or trademarks of the Microsoft Corporation in the United States and/or other countries.

ACR40U – Jan 2025. Subject to change without prior notice.



www.acs.com.hk

info@acs.com.hk