



FAST IDENTITY ONLINE [FIDO®]

PocketKey+ Bio

SECURE & CONVENIENT

ACS's PocketKey+ Bio revolutionizes online security with passwordless login through advanced multi-factor authentication, significantly reducing reliance on static passwords. Certified by the FIDO Alliance, this device adheres to the stringent FIDO U2F and FIDO2 protocols, ensuring robust security standards.

Equipped with a state-of-the-art fingerprint sensor, PocketKey+ Bio allows users to authenticate their identity using biometric data, adding an essential layer of protection. This feature guarantees that only authorized users can access their accounts, enhancing overall security.

Designed for convenience, the device is available as a USB Type-C Security Key with NFC functionality. The fingerprint sensor ensures that users must be physically present to authenticate, providing peace of mind for secure interactions with applications.



KEY FEATURES

Compact Design & Universal Connectivity

- USB Type-C Interface
- NFC Interface
- Ultra-portable form factor

Security Features

- FIDO2 Authenticators
 - FIDO U2F
 - FIDO2 (CTAP2.1)
- Biometric Authentication
 - Side-mounted fingerprint sensor
- Security Module
 - Cryptographic Security Module (EAL6+)

Enhanced Biometric Experience

- Quick and Easy Finger Registration
- Supports Up to 10 Fingerprints
- Flexible Finger Registration Options

COMMON APPLICATIONS

- Enterprises
- Financial Services & Payments
- Government
- Healthcare & Insurance

SUPPORTED PLATFORMS

- Microsoft®
- Apple ID®
- iCloud®
- Facebook
- Google®

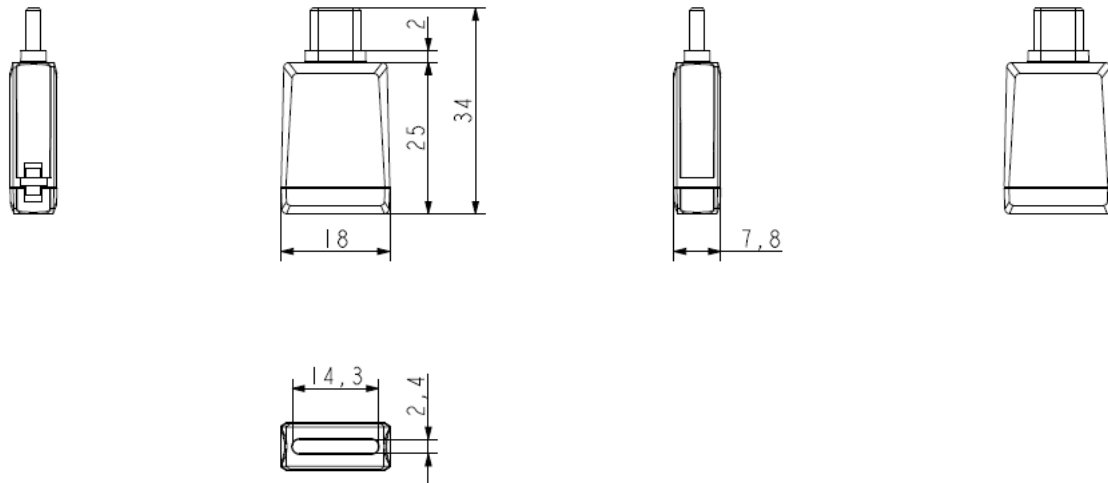


TECHNICAL SPECIFICATIONS

| Host Interface | |
|-----------------------------|----------------------------------|
| Protocol | USB HID |
| Connector Type | USB Type-C |
| USB Interface | USB 2.0 Full Speed (12Mbps) |
| Power Supply | USB Port & NFC |
| Current Consumption | Max. 100 mA |
| NFC Interface | |
| ISO 14443 Type A | Support |
| Biometric Data | |
| Biometric (Fingerprint) | Support |
| False Reject Rate (FRR) | < 1.2% |
| False Acceptance Rate (FAR) | < 1:50k |
| Acquisition time | < 100ms |
| Security Features | |
| Authenticators | FIDO U2F FIDO2 (CTAP2.1) |
| Resident Key Storage | 100 |
| Fingerprint Storage | 10 |
| Certifications/ Compliances | |
| Standards | FIDO U2F, FIDO2 L1 |
| Regulatory/Environmental | CE, FCC, VCCI, UKCA, RoHS, REACH |
| Other Features | |
| Enterprise Attestation | Upon Request |
| TOTP/HOTP | Support |

| Physical Characteristics | |
|--|---|
| Dimensions | 34mm (L) × 18mm (W) × 7.8mm (H) |
| Weight | 4.2 g ± 1.0 g |
| Available Colour(s) | Black |
| Peripherals | |
| LED | Blue |
| Operating Conditions | |
| Temperature | 0 - 65°C |
| Humidity | Max 95% (Non-Condensing) |
| MTBF | 600,000 Hours |
| OS, Browser & Platform Support | |
| Supported OS | Windows®, Linux®, macOS, Android™ and iOS |
| Supported Browsers | Chrome™, Safari®, Microsoft Edge® and Firefox® |
| Supported Platforms | Microsoft®, Apple ID®, iCloud®, Facebook, and Google® |
| Key Manager | Support |
| Model/ Part Number | |
| Default <i>[Type-C Protective Cap included]</i> | AFD03-A1 |

MECHANICAL SPECIFICATIONS



About ACS

Advanced Card Systems Ltd. (ACS), founded in 1995, is Asia Pacific's top supplier and one of the world's top 3 suppliers of PC-linked smart card readers. ACS is the winner of the Product Quality Leadership Award for Smart Card Readers from Frost & Sullivan. ACS was listed in Forbes Asia's "Best Under a Billion" list for several years, an inter-industry list comprised of 200 top-performing publicly listed companies in the Asia-Pacific, with sales between US\$5 million and US\$1 billion. ACS develops a wide range of high-quality smart card reading/writing devices, smart cards and related products and distributes them to over 100 countries worldwide.

Click [here](#) for Sales Enquiry

Tel: +852-2796-7873

Fax: +852-2796-1286

macOS and Safari® are registered trademarks of Apple Inc., registered in the U.S. and other countries.

Windows® is a trademark of Microsoft Corporation in the United States and/or other countries.

Android™ and Google Chrome™ are trademarks of Google LLC.

Linux® is the registered trademark of Linus Torvalds in the U.S. and other countries.

Firefox™ is a trademark of the Mozilla Foundation in the U.S. and other countries.

The FIDO, FIDO ALLIANCE, and FIDO CERTIFIED trademarks logos are trademarks of FIDO.



www.acs.com.hk

info@acs.com.hk