



FAST IDENTITY ONLINE [FIDO®]

PocketKey+ Bio

SECURE & CONVENIENT

ACS's PocketKey+ Bio revolutionizes online security with passwordless login through advanced multi-factor authentication, significantly reducing reliance on static passwords. Certified by the FIDO Alliance, this device adheres to the stringent FIDO U2F and FIDO2 protocols, ensuring robust security standards.

Equipped with a state-of-the-art fingerprint sensor, PocketKey+ Bio allows users to authenticate their identity using biometric data, adding an essential layer of protection. This feature guarantees that only authorized users can access their accounts, enhancing overall security.

Designed for convenience, the device is available as a USB Type-C Security Key with NFC functionality. The fingerprint sensor ensures that users must be physically present to authenticate, providing peace of mind for secure interactions with applications.



KEY FEATURES

✓ Compact Design & Universal Connectivity

- USB Type-C Interface
- NFC Interface
- Ultra-portable form factor

✓ Security Features

- FIDO2 Authenticators
 - FIDO U2F
 - FIDO2 (CTAP2.1)
- Biometric Authentication
 - Side-mounted fingerprint sensor
- Security Module
 - Cryptographic Security Module (EAL6+)

✓ Enhanced Biometric Experience

- Quick and Easy Finger Registration
- Supports Up to 10 Fingerprints
- Flexible Finger Registration Options

COMMON APPLICATIONS

- Enterprises
- Financial Services & Payments
- Government
- Healthcare & Insurance

SUPPORTED PLATFORMS

- Microsoft®
- Apple ID®
- iCloud®
- Facebook
- Google®

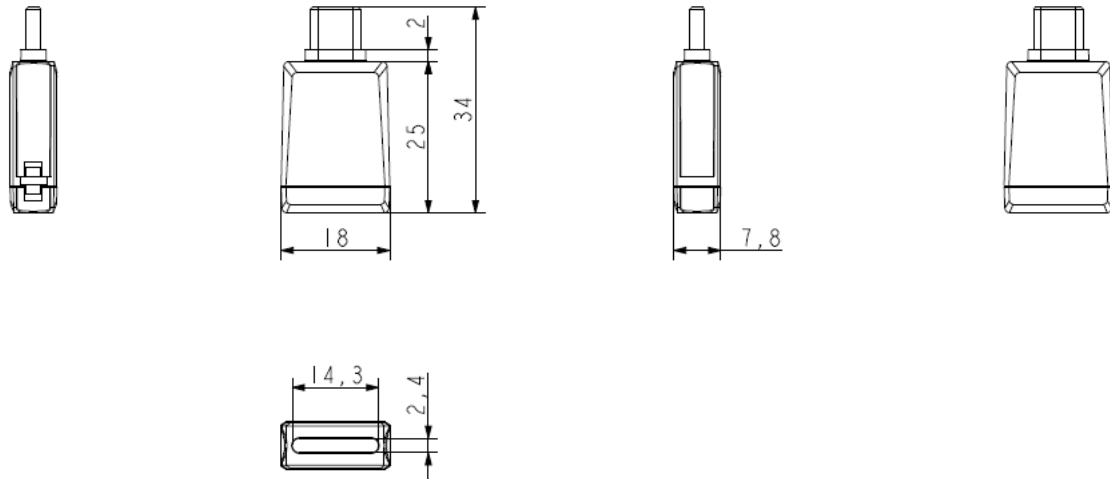


TECHNICAL SPECIFICATIONS

Host Interface	
Protocol	USB HID
Connector Type	USB Type-C
USB Interface	USB 2.0 Full Speed (12Mbps)
Power Supply	USB Port & NFC
Current Consumption	Max. 100 mA
NFC Interface	
ISO 14443 Type A	Support
Biometric Data	
Biometric (Fingerprint)	Support <i>(Available via USB interface only; NOT supported over NFC)</i>
False Reject Rate (FRR)	< 1.2%
False Acceptance Rate (FAR)	< 1:50k
Acquisition time	< 100ms
Security Features	
Authenticators	FIDO U2F FIDO2 (CTAP2.1)
Resident Key Storage	100
Fingerprint Storage	10
Certifications/ Compliances	
Standards	FIDO U2F, FIDO2 L1
Regulatory/Environmental	CE, FCC, VCCI, UKCA, RoHS, REACH
Other Features	
Enterprise Attestation	Upon Request
TOTP/HOTP	Support

Physical Characteristics	
Dimensions	34mm (L) × 18mm (W) × 7.8mm (H)
Weight	4.2 g ± 1.0 g
Available Colour(s)	Black
Peripherals	
LED	Blue
Operating Conditions	
Temperature	0 - 65°C
Humidity	Max 95% (Non-Condensing)
MTBF	600,000 Hours
OS, Browser & Platform Support	
Supported OS	Windows®, Linux®, macOS, Android™ and iOS
Supported Browsers	Chrome™, Safari®, Microsoft Edge® and Firefox®
Supported Platforms	Microsoft®, Apple ID®, iCloud®, Facebook, and Google®
Key Manager	Support
Model/ Part Number	
Default <i>[Type-C Protective Cap included]</i>	AFD03-A1

MECHANICAL SPECIFICATIONS



About

Advanced Card Systems Ltd. (ACS), founded in 1995, is Asia Pacific's top supplier and one of the world's top 3 suppliers of PC-linked smart card readers. ACS is the winner of the Product Quality Leadership Award for Smart Card Readers from Frost & Sullivan. ACS was listed in Forbes Asia's "Best Under a Billion" list for several years, an inter-industry list comprised of 200 top-performing publicly listed companies in the Asia-Pacific, with sales between US\$5 million and US\$1 billion. ACS develops a wide range of high-quality smart card reading/writing devices, smart cards and related products and distributes them to over 100 countries worldwide.

Click [here](#) for Sales Enquiry

Tel: +852-2796-7873

Fax: +852-2796-1286

macOS and Safari® are registered trademarks of Apple Inc., registered in the U.S. and other countries.

Windows® is a trademark of Microsoft Corporation in the United States and/or other countries.

Android™ and Google Chrome™ are trademarks of Google LLC.

Linux® is the registered trademark of Linus Torvalds in the U.S. and other countries.

Firefox™ is a trademark of the Mozilla Foundation in the U.S. and other countries.

The FIDO, FIDO ALLIANCE, and FIDO CERTIFIED trademarks logos are trademarks of FIDO.



www.acs.com.hk

info@acs.com.hk